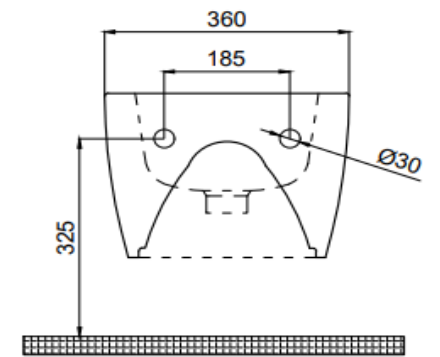
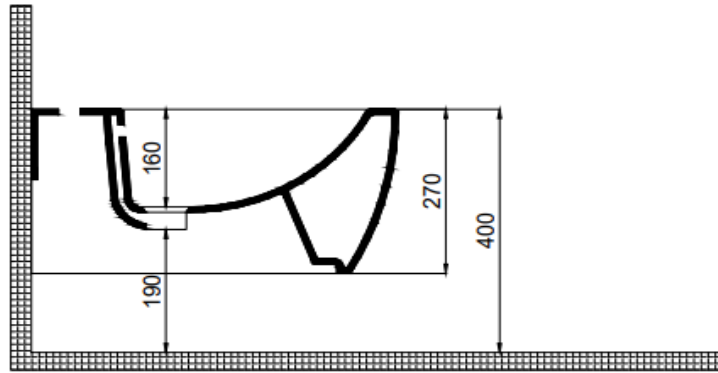
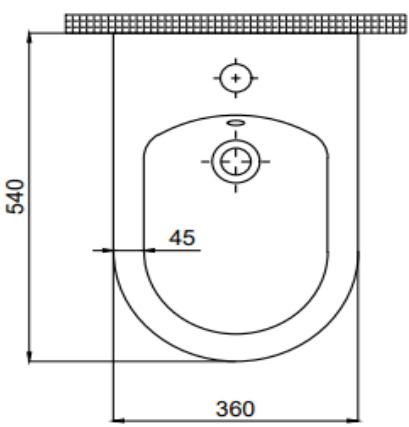




## TEKNİK BİLGİ/TECHNICAL DATA

<b>Özellikler / Specification</b>	Batarya Delikli / With Tap Hole Su Taşma Kanallı / With Overflow Hole	
<b>Sertifika/Certificate</b>	TS EN 14528 CL 20	
<b>Montaj Kiti/Fixing Kit</b>	Dahil/Included	
<b>Seçenekler/Options</b>	Batarya Deliksiz/Without Tap Hole	70DE12002.00.2.3.01
<b>Renk/Color</b>	Beyaz/White	70DE12002.00.1.3.01
	Mat Beyaz/Matte White	70DE12002.06.1.3.01
	Siyah/Black	70DE12002.30.1.3.01
	Mat Siyah/Matte Black	70DE12002.01.1.3.01
	Antrasit/Anthracite	70DE12002.02.1.3.01
	Vizon/Taupe	70DE12002.04.1.3.01
	Fildişi/Ivory	70DE12002.05.1.3.01
	Somon/Salmon	70DE12002.03.1.3.01
	Altın/Gold	70DE12002.20.1.3.01
	Platin/Platinum	70DE12002.21.1.3.01

## TEKNİK ÇİZİM/TECHNICAL DRAWING



## UYUMLU AKSESUAR -ÜRÜN/COMPITABLE ACCESSORIES-PRODUCT

Seramik tapalı sifon (Beyaz) / Waste valve with ceramic cover (White)	56BC03000.00.00.01
Seramik tapalı sifon (Mat Beyaz) / Waste valve with ceramic cover (Matte White)	56BC03000.06.00.01
Seramik tapalı sifon (Siyah) / Waste valve with ceramic cover (Black)	56BC03000.30.00.01
Seramik tapalı sifon (Mat Siyah) / Waste valve with ceramic cover (Matte Black)	56BC03000.01.00.01

Seramik tapalı sifon (Antrasit) / Waste valve with ceramic cover (Anthracite)	56BC03000.02.00.01
Seramik tapalı sifon (Vizon) / Waste valve with ceramic cover (Taupe)	56BC03000.04.00.01
Seramik tapalı sifon (Fildiři) / Waste valve with ceramic cover (Ivory)	56BC03000.05.00.01
Seramik tapalı sifon (Somon) / Waste valve with ceramic cover (Salmon)	56BC03000.03.00.01
Seramik tapalı sifon (Altın) / Waste valve with ceramic cover (Gold)	56BC03000.20.00.01
Seramik tapalı sifon (Platin) / Waste valve with ceramic cover (Platinum)	56BC03000.21.00.01
Krom tapalı sifon / Waste valve with chrome cover	56BC04000.22.00.01

## İNDİRMELER/DOWNLOADS

Garanti Belgesi ve Bakım Kılavuzu



Montaj Kılavuzu



Montaj Videosu

