



TEKNİK BİLGİ/TECHNICAL DATA

Özellikler / Specification

Batarya Delikli / With Tap Hole
Su Taşma Kanalsız / Without Overflow Hole

Boyutlar/Dimension

450 mm Ø

Sertifika/Certificate

TS EN 14688 CL 00

Montaj Kiti/Fixing Kit

Dahil değil /Notincluded

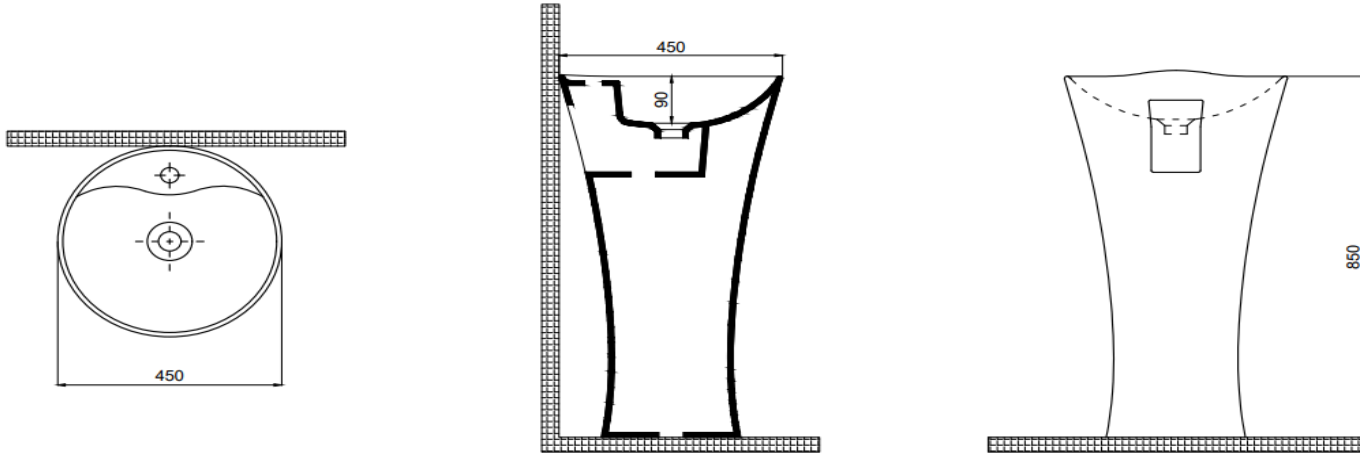
Seçenekler/Options

Batarya Deliksiz/Without Tap Hole	70C026002.00.2.3.01
2 Batarya Delikli/With 2 Tap Hole	70C026002.00.6.3.01
3 Batarya Delikli/With 3 Tap Hole	70C026002.00.7.3.01

Renk/Color

Beyaz/White	70C026002.00.1.3.01
Mat Beyaz/Matte White	70C026002.06.1.3.01
Siyah/Black	70C026002.30.1.3.01
Mat Siyah/Matte Black	70C026002.01.1.3.01
Antrasit/Anthracite	70C026002.02.1.3.01
Vizon/Taupe	70C026002.04.1.3.01
Fildişi/Ivory	70C026002.05.1.3.01
Somon/Salmon	70C026002.03.1.3.01
Altın/Gold	70C026002.20.1.3.01
Platin/Platinum	70C026002.21.1.3.01

TEKNİK ÇİZİM/TECHNICAL DRAWING



UYUMLU AKSESUAR -ÜRÜN/COMPITABLE ACCESSORIES-PRODUCT

Seramik tapalı sifon (Beyaz) / Waste valve with ceramic cover (White)	56BC03000.00.00.01
Seramik tapalı sifon (Mat Beyaz) / Waste valve with ceramic cover (Matte White)	56BC03000.06.00.01
Seramik tapalı sifon (Siyah) / Waste valve with ceramic cover (Black)	56BC03000.30.00.01
Seramik tapalı sifon (Mat Siyah) / Waste valve with ceramic cover (Matte Black)	56BC03000.01.00.01
Seramik tapalı sifon (Antrasit) / Waste valve with ceramic cover (Anthracite)	56BC03000.02.00.01
Seramik tapalı sifon (Vizon) / Waste valve with ceramic cover (Taupe)	56BC03000.04.00.01
Seramik tapalı sifon (Fildişi) / Waste valve with ceramic cover (Ivory)	56BC03000.05.00.01
Seramik tapalı sifon (Somon) / Waste valve with ceramic cover (Salmon)	56BC03000.03.00.01
Seramik tapalı sifon (Altın) / Waste valve with ceramic cover (Gold)	56BC03000.20.00.01
Seramik tapalı sifon (Platin) / Waste valve with ceramic cover (Platinum)	56BC03000.21.00.01
Krom tapalı sifon / Waste valve with chrome cover	56BC04000.22.00.01

İNDİRMELER/DOWNLOADS

Garanti Belgesi ve Bakım Kılavuzu



Montaj Kılavuzu



Montaj Videosu

